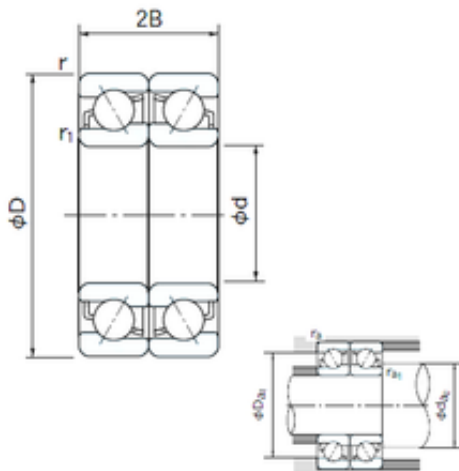




BEARING SUDAMERICANA, S.A.



60 mm x 110 mm x 22 mm NACHI 7212DF
angular contact ball bearings

Bearing No. 7212DF

7212DF Bearing 2D drawings and 3D CAD models

Size	60x110x22 mm
Bore Diameter	60 mm
Outer Diameter	110 mm
Width	22 mm
d	60 mm
D	110 mm
B	22 mm
C	22 mm
Angle (°)	30 °
a	13.5 mm
r min.	1.5 mm
r1 min.	1 mm
2B	44 mm
da min.	65 mm
Da max.	104.6 mm
ra max.	1 mm
Weight	0.820 Kg
Basic dynamic load rating (C)	100 kN
Basic static load rating (C0)	97,5 kN
(Grease) Lubrication Speed	4300 r/min
Bore Type	Cylindrical Bore
Enclosure	Open
Configuration	Duplex
Bore Size	60 mm
Outside Diameter	110 mm



BEARING SUDAMERICANA, S.A.

Width	22 mm
Fillet Radius/Chamfer	1.5 mm
r1	1 mm
Dynamic Load Rating	100,000 N
Static Load Rating	97,500 N
Limiting Speed - Grease	4,300 rpm
Limiting Speed - Oil	5,600 rpm
da1 (min)	69 mm
da2 (min)	65 mm
Da1 (max)	101 mm
Da2 (max)	104.6 mm
ra (max)	1.5 mm
ra1 (max)	1 mm