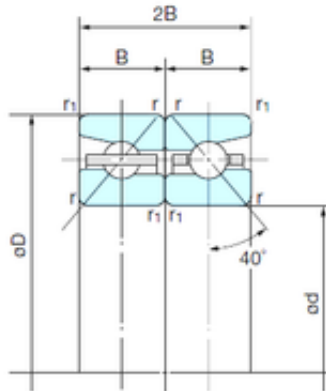




BEARING SUDAMERICANA, S.A.

60 mm x 95 mm x 16,5 mm NACHI
60TBH10DB angular contact ball bearings



Bearing No. 60TBH10DB

Size	60x95x16.5 mm
Bore Diameter	60 mm
Outer Diameter	95 mm
Width	16,5 mm
d	60 mm
D	95 mm
B	16,5 mm
Angle (°)	40 °
r min.	1.1 mm
r1 min.	0.6 mm
2B	33 mm
Basic dynamic load rating (C)	29,3 kN
Basic static load rating (C0)	73 kN
(Grease) Lubrication Speed	6500 r/min

60TBH10DB Bearing 2D drawings and 3D CAD models