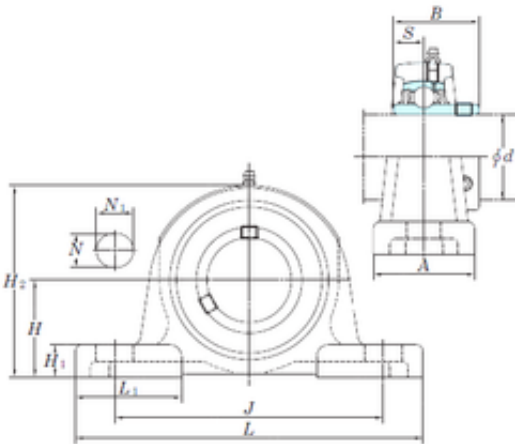




# BEARING SUDAMERICANA, S.A.

## KOYO UCPX15 bearing units

Bearing No. UCPX15



UCPX15 Bearing 2D drawings and 3D CAD models

Bore Diameter	75 mm
Width	82,6 mm
d	75 mm
A	89 mm
B	82,6 mm
H	88,9 mm
H1	32 mm
H2	175 mm
J	229 mm
L	330 mm
L1	99 mm
N	27 mm
N1	50 mm
S	33,3 mm
Bolt (G)	M22
Weight	10,8 Kg
Basic dynamic load rating (C)	72,7 kN
Basic static load rating (C0)	53 kN
Bearing No.	UCPX15
Bolt size	M22
Cr	72.7
C0r	53.0
f0	14.6
(Refer.) Unit mass(kg)	10.8
Nipple size	R1/8