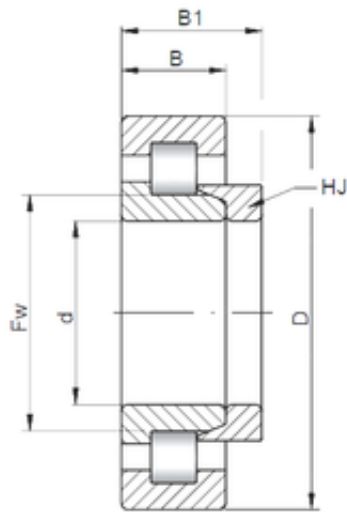




BEARING SUDAMERICANA, S.A.



85 mm x 210 mm x 52 mm ISO NH417
cylindrical roller bearings

Bearing No. NH417

Dimensione	85x210x52 mm
Marchio	ISO
Diametro del foro	85 mm
Diametro esterno	210 mm
Larghezza	52 mm
d	85 mm
D	210 mm
B	52 mm
C	52 mm
B1	14 mm
B2	24 mm

NH417 Bearing 2D drawings and 3D CAD models