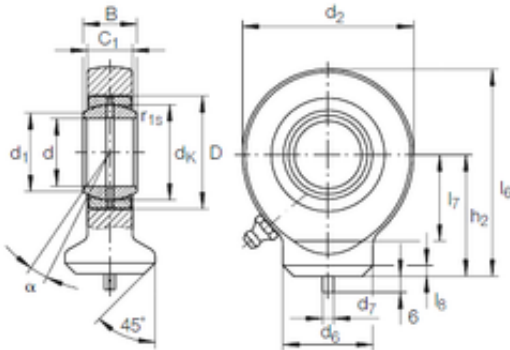




BEARING SUDAMERICANA, S.A.

45 mm x 68 mm x 32 mm INA GK 45 DO plain bearings



GK 45 DO Bearing 2D drawings and 3D CAD models

Bearing No. GK 45 DO

Size	45x68x32 mm
Bore Diameter	45 mm
Outer Diameter	68 mm
Width	32 mm
d	45 mm
D	68 mm
B	32 mm
d7	6 mm
d1	50,7 mm
d2	102 mm
d6	58 mm
dk	60 mm
h2	77 mm
l6 max.	128 mm
l7 min.	52 mm
l8	5 mm
r1 min.	0,6 mm
C1	27 mm
Angle	7 °
Weight	1,8 Kg
Basic dynamic load rating (C)	127 kN