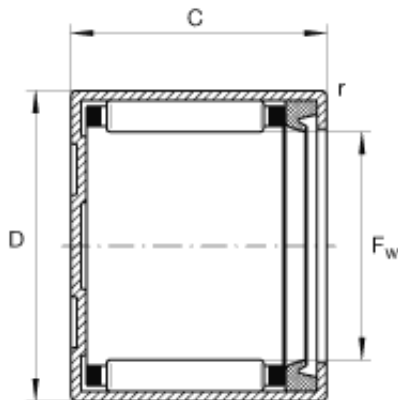




# BEARING SUDAMERICANA, S.A.

## INA BCE89-P needle roller bearings



Bearing No. BCE89-P

Size	12.7x17.462x14.288 mm
Bore Diameter	12,7 mm
Outer Diameter	17,462 mm
Width	14,288 mm
$F_w$	1/2 inch
$F_w$	12,7 mm
D	0,688 inch
D	17,462 mm
C	0,563 inch
C	14,288 mm
m	0,022 lbs / Weight
m	10 g / Weight
$C_r$	1550 lbf / Dynamic load rating (radial)
$C_r$	6900 N / Dynamic load rating (radial)
$C_{0r}$	2030 lbf / Static load rating (radial)
$C_{0r}$	9000 N / Static load rating (radial)
$n_G$	19500 1/min / Limiting speed
$n_B$	13800 1/min / Reference speed
Category	Bearings
Inventory	0.0
Manufacturer Name	SCHAEFFLER GROUP
Minimum Buy Quantity	N/A

BCE89-P Bearing 2D drawings and 3D CAD models



## BEARING SUDAMERICANA, S.A.

Weight / Kilogram	0.015
Product Group	B04144