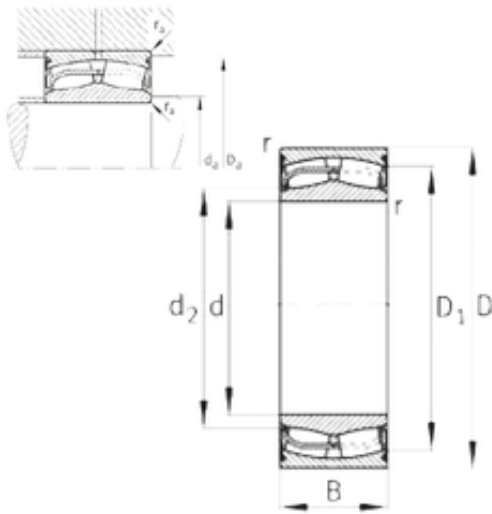




BEARING SUDAMERICANA, S.A.

140 mm x 225 mm x 85 mm FAG
24128-E1-2VSR-H40 spherical roller bearings



Bearing No. 24128-E1-2VSR-H40

Size	140x225x85 mm
Bore Diameter	140 mm
Outer Diameter	225 mm
Width	85 mm
d	140 mm
D	225 mm
B	85 mm
C	85 mm
d2	153,5 mm
r min.	2,1 mm
D1	209,9 mm
da min.	152 mm
Da max.	213 mm
ra max.	2,1 mm
Weight	13,8 Kg
Basic dynamic load rating (C)	800 kN
Basic static load rating (C0)	1190 kN
Fatigue load limit (Pu)	124
Limiting speed	660 r/min
Calculation factor (e)	0,34
Calculation factor (Y0)	1,94
Calculation factor (Y1)	1,99

24128-E1-2VSR-H40 Bearing 2D drawings and 3D CAD models